

SHOPPING TROLLEY

**MODELS: MIDI 160 L, VALZER 160 L
MAXI 210 L, VALZER 210 L**



Maxi 210 l.

Mini 160 l.



Valzer 210 l.

Valzer 160 l.

LIST OF CONTENTS

I		Introduction – general information	p.2
	1	Brand	p.2
	2	From idea to final product.....	p.2
II		Shopping Trolleys 160L and 210L.....	p.3
	1	General information.....	p.3
	2	Features of the Rabtrolley® shopping trolleys 160L and 210L.....	p.4
	2.1	Esthetics of performance ↔ brainy project + plastics.....	p.4
	2.2	Increased load capacity ↔ large capacity basket + shelf for bottles.....	p.4
	2.3	Easiness to maneuver ↔ high-quality wheels.....	p.4
	2.4	Eco-friendliness ↔ ecological product.....	p.5
	2.5	Security warranty ↔ conformity to standards.....	p.5
	2.6	Traceability ↔ barcode label + compatibility with RFID technology.....	p.5
	3	Models of Rabtrolley® 160L. i 210L.....	p.6
	3.1	Models made of plastic (plastic frame and plastic basket).....	p.6
	-	Midi 160 l.	p.6
	-	Maxi 210 l.	p.6
	3.2	Hybrid models (metal frame and plastic basket).....	p.7
	-	Valzer 160 l.	p.7
	-	Valzer 210 l.	p.7
III		Information for users.....	p.8

I. Introduction – general information:

1. Brand

Rabtrolley® is a brand of Rabugino Sp. zo.o. created for the purpose of commercialization of the modern innovative line of shopping trolleys for the retail trade sector.

We are the producer of shopping trolleys having over 30-years' experience in the area of plastics processing.

Through the market research and the analysis of the collected data realized in 2 years' time, we have created the product of the highest quality that has unique features, including first of all the functionality, comfort of use and stylish design - the result of the work of the Italian designer's Pino Spagnolo's studio.

Our efforts were recognized and honored with the prestigious statuette and on May 23th 2013 the line of Rabtrolley® shopping trolleys received Złoty Paragon (The Golden Receipt) - The Award of Polish Buyers 2013 in the category of "Creativity & Innovation". The award was given with partnership of Polish Ministry of Economy. While on January 20th 2014 the shopping trolley Rabtrolley® Midi 160 l. won the silver award in the category 'Shop Ideen' at the finals of the Top Produkt Handel Competition 2014 organized by Handels Journal, the largest monthly magazine for the FMCG industry in Germany.



The production of trolleys is entirely realized in Poland, in Grodzisk Mazowiecki (40 km from Warsaw).

2. From idea to final product

Rabtrolley® “the new generation of trolleys”

Why „the New Generation”? Our shopping trolleys are innovative and more functional than others available on the market. A brand new design, unbeatable quality, functionality, easiness of keeping clean and care for the environment (recycling) these are the assets of Rabtrolley® trolleys.

Why plastic? The use of plastic gives us the opportunity to make our trolleys light, colorful and pleasing to the sight, it lets the Client personalize the product in an exceptional way. In the meantime the plastic is a very reliable material that does not corrode. Our trolleys are environmentally friendly because for their production we use recycled raw materials, moreover the plastic from used Rabtrolley® trolleys can be recovered and used to produce new ones.

Thanks to the plastic, the shopping trolleys Rabtrolley® Mini 80 l. are compatible with RFID technology, which through electronic tags stuck on the products can accelerate and facilitate cash service in the stores and reduce its costs.

Since a few years it is possible to find first models of plastic shopping trolleys in the markets, but unfortunately not always these first experiences have been positive, and this fact still influences the supremacy of the wire trolleys on the plastic ones. However plastic can win the competition with metal only when there is the appropriate design and solid knowledge standing behind. Through the 30-years' experience of Rabugino in the plastic processing sector, Rabtrolley® bases on its deep know-how thereby resulting into obtaining products with unique strengths.

II. Shopping trolleys with capacity of 160L and 210L



1. General information

In our offer there are models of following capacities: 80L (MINI), 160 L (MIDI 160L and VALZER 160L) and 210L (MAXI 210L. and VALZER 210L.). Each of them has been constructed as an intelligent alternative for a traditional shopping basket. Handiness in use, excellent maneuverability, big load capacity of the basket and comfortable shelf for bottles (15 kg) will surely have influence on the rise of turnover in the shop.

Each version of the trolley can be optionally equipped with a coin-lock system. For our products we use Systec locking systems. It is possible to order such a system for any currency you need.

The castors used in the Rabtrolley® trolleys of 160 l. and 210 l. have the diameter of Ø 100 mm and they are made by TENTE. In the standard equipment wheels have a metal fork. It is possible to equip trolleys with special passengers' conveyor castors (Ø 125 mm).

The model MINI 80L is produced in six versions: Basic, Basic Ex, Eko, Bio, Glamour and Flock. Models of Rabtrolley® trolleys MIDI 160L and MAXI 210L are available in two versions: standard version with its frame made of new plastic and ECO version with frame made of recycled plastic (75%).

The trolleys of capacity 160L and 210L can be also produced in hybrid version which is characterized by a metal frame and plastic basket (Valzer 160L. and Valzer 210L).

Each trolley can be personalized with a logo printed on a label or engraved in plastic. For orders over 100 pcs we can produce the trolley in a different colour chosen by the Customer from the RAL or Pantone palette. Thanks to the stylish design and the possibility of individual adjustment of trolleys to the character of the store, Customer gets not only a functional trolley, but the trolley that furnishes and adorns the interior.

2. Features of Rabtrolley® 160L and 210L

Choosing the right shopping trolley/basket may significantly affect on the store's turnover. Uncomfortable, unsightly, incapacious and uncomfortable to maneuver trolley can effectively discourage the Customer from shopping in the market. Our Rabtrolley® MINI 80 l. guarantees your Clients satisfaction and comfort of use. Its main assets are esthetics of performance, easiness of maintenance, high load capacity, comfort to maneuver, eco-friendliness and security.

2.1 Esthetics of performance ↔ brainy project + plastics

The esthetics of performance and stylish design are undeniable advantages of Rabtrolley® shopping trolleys. By using a proper plastic material the trolley gains the lightness that makes it practical and convenient to operate. A wide range of colours allows the maximum customization of trolleys offering your Customers not only a tool to facilitate shopping but also pleasing decoration of the store's interior.

2.2 Increased load capacity ↔ large capacity basket + shelf for bottles

The Rabtrolley® shopping trolleys of 160l. and 210l. are the perfect solution especially for medium and large-area stores and huge area supermarkets. They are characterized by a smart shape with a large load capacity basket (160 l. up 160 kg or 210 l. up to 210 l.). In many malls the shelvings with beverages are situated near the exit, that makes difficult loading beverages packs for Customers which have already filled their shopping trolleys with chosen goods and they have not enough space to put bottles inside. In such situation the Client may hold back from purchasing beverages, reducing the turnover of the store as well. In turn, placing heavy bottles on the products may unnecessarily crush and destroy already packed articles. Our external shelf for bottles let the Customers put beverages outside the basket in a safe place, isolated from other products in an easy and comfortable way. We guarantee the load capacity of the bottle shelf for maximally 15 kg, so more than a standard pack of 1,5 liter beverages can weigh. Moreover the version MAXI 210 l. is equipped as standard with a shelf for delicate products.



2.3 Easiness to maneuver ↔ high-quality wheels

Good quality wheels = easy manoeuvring = Customer's comfort

Very often even a relatively good quality shopping trolley may be inconvenient for the Customer because of the difficult maneuvering due to installation of improper wheels. Castors used by us meet the highest quality requirements and they are characterized by high resistance to abrasion and negative effects of the passage of time, causing that the trolley runs smoothly over the commercial surfaces, ensuring the Customer comfort as well. The effect is our Rabtrolley – a shopping trolley easily and smoothly manoeuvrable on commercial surfaces.



2.4 Eco-friendliness ↔ ecological product

Nowadays, the society pays more attention to environmental concerns. Despite appearances, plastics used to produce the shopping trolleys Rabtrolley® are eco-friendly due to the fact that they may be subjected to a re-processing. The chassis of ECO versions of trolleys MIDI160L., MAXI 210L and chosen versions of MINI 80 L. (Eko and Bio) are made in 75% of recycled plastic. While worn or damaged trolleys are also suitable for re-processing and so they can be reuse in the production of new trolleys!



2.5 Security guarantee ↔ conformity to standards

We have paid much attention to guarantee the security of our products. The design of our trolleys has been created by application of details friendly and secure for the Customer that eliminates the risk of damages during his shopping time.

The shopping trolleys Rabtrolley® have been designed and manufactured in conformity of standards UNI EN 1929, that define the EU requirements and tests for basket trolleys (with or without a child carrying facility, adapted or not adapted to be used on passenger conveyors) serving the Customers of self-service stores to carry purchased goods.

2.6 Traceability ↔ barcode label + compatibility with RFID technology

Each Rabtrolley® is equipped with a barcode label placed on the frame inside the trolley on the left. The label contains information, written down at the end of the production, that includes the kind of material, year and month of production etc. On the sticker there is also the serial number which allows more accurate verification of all materials used in production.



The Rabtrolley® trolleys are adapted to equip them with a RFID label.

Due to the fact that Rabtrolley® MINI 80 L., MIDI 160 L. and MAXI 210 L. trolleys are entirely made of plastics, they are compatible with the innovative RFID technology, which allows to scan and identify all the products at the checkout without the necessity of putting them out on conveyor belts.

3 Models of Rabtrolley® 160L. and 210L.

In our offer we have 2 versions of each model 160 L. and 210 L.

According to the materials of which they are made, trolleys are divided into: models made of plastics (plastic frame and basket): model **MIDI 160l. and MAXI 210l.** and hybrid models (plastic basket and metal frame): **VALZER 160l. and VALZER 210l.**



3.1. Models made of plastics (plastic frame and basket):

- **MIDI 160 l.** – trolley's basket made of 100% of new polycarbonate is available in 5 standard colors: transparent, light green, red, orange and blue. The frame is accessible in two versions: standard (grey frame) made of a new polyamide and **ECO** (black frame), which is produced in 75% of recycled plastic. For bigger orders (more than 100 pcs.) can be chosen other color requested by the Client. The trolley has a very capacious and convenient shopping basket, which is equipped with a seat for a child. The trolley can be personalized by logo labels placed both on its handle and on two ovals situated on each side of the frame. Aesthetical, roomy and easy to maneuver the MIDI 160l. is a perfect solution for medium and large area markets.

- **MAXI 210 l.** – trolley's basket made of 100% of new polycarbonate is available in 5 standard colors: transparent, light green, red, orange and blue. The frame is accessible in two versions: standard (grey frame) made of a new polyamide, and ECO (black frame), which is produced in 75% of recycled plastic. For bigger orders (more than 100 pcs.) can be chosen other color requested by the Client. The trolley has a very capacious and convenient shopping basket, which is equipped with a seat for a child. In addition, this model is equipped as standard with a functional shelf for delicate products. The trolley can be personalized by logo labels placed both on its handle and on two ovals situated on each side of the frame. Aesthetical, roomy and easy to maneuver the MAXI 210l. is a perfect solution for large and huge area markets.

3.2. Hybrid models (metal frame and plastic basket):



- **Valzer 160 l.** – hybrid trolley of capacity 160 l. is composed of steel frame and plastic basket made in 100% of new polycarbonate. The basket is available in 5 standard colors: transparent, light green, red, orange and blue. For bigger orders (more than 100 pcs.) can be chosen other color requested by the Client. The trolley has a very capacious and convenient shopping basket, which is equipped with a seat for a child. The trolley can be personalized by logo labels placed both on its handle and on two ovals situated on each side of the frame. Aesthetical, roomy and easy to maneuver the Valzer 160 l. is a perfect solution for medium and large area markets.

- **Valzer 210 l.** – hybrid trolley of capacity 210 l., is composed of steel frame and plastic basket made in 100% of new polycarbonate. The basket is available in 5 standard colors: transparent, light green, red, orange and blue. For bigger orders (more than 100 pcs.) can be chosen other color requested by the Client. The trolley has a very capacious and convenient shopping basket, which is equipped with a seat for a child. In addition, this model is equipped as standard with a functional shelf for delicate products. The trolley can be personalized by logo labels placed both on its handle and on two ovals situated on each side of the frame. Aesthetical, roomy and easy to maneuver the Valzer 210 l. is a perfect solution for large and huge area markets.

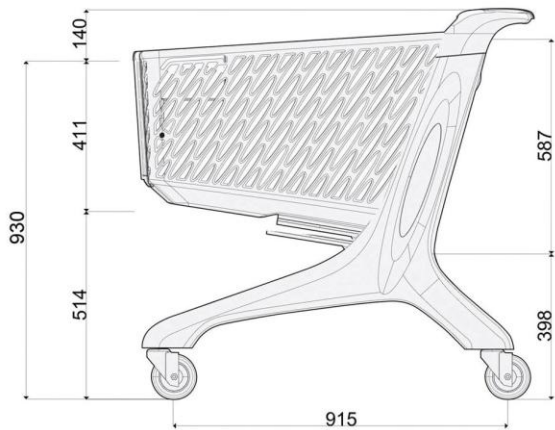
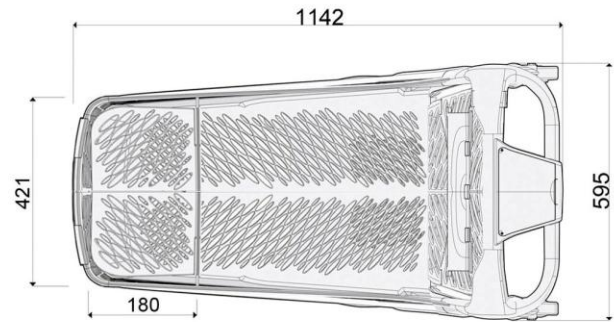
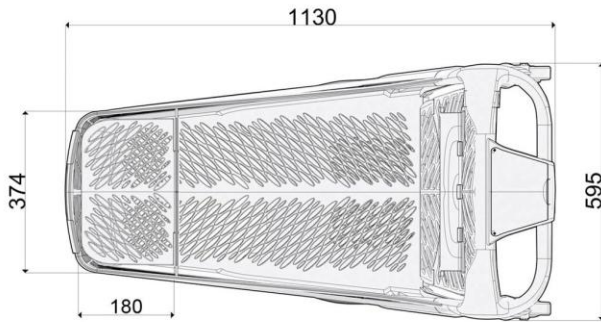
* Rabtrolley® MIDI 160 l., Maxi 210 l. and Valzer 160 l., 210 l. can be optionally equipped with shelf for bottles, coin-lock system and castors for passengers' conveyors

USER'S NOTES

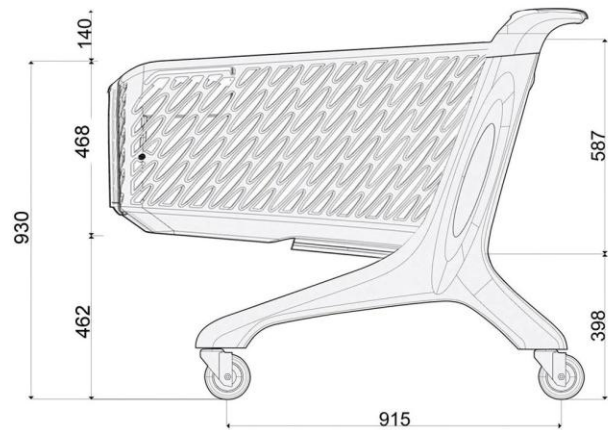
III. Information for users



TROLLEYS' CONSTRUCTION AND DIMENSIONS (mm)

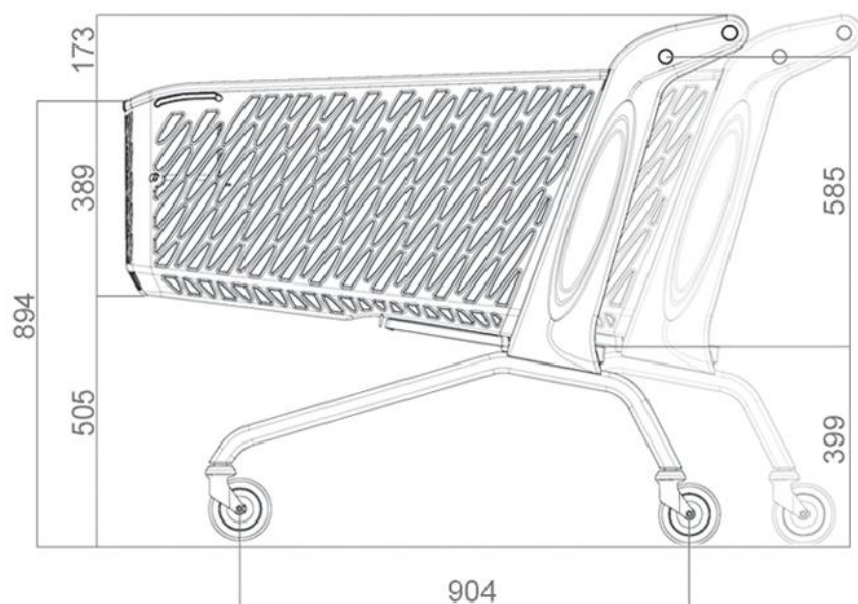
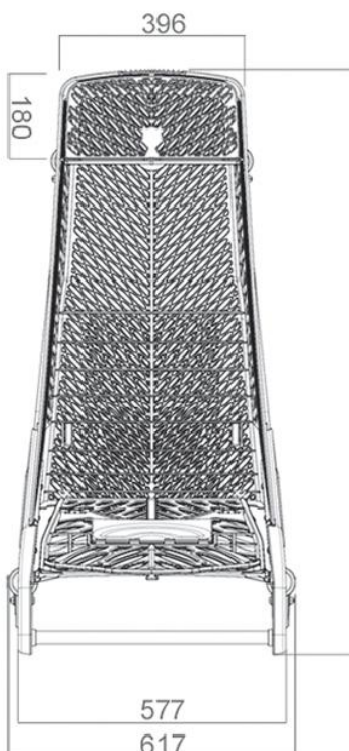


MIDI 160L



MAXI 210L

Models: Rabtrolley® MIDI 160 I. and MAXI 210 I. are composed of polycarbonate basket suspended on polyamide frame and separately assembled: flap with child seat and 4 castors. Model Maxi 210 I. has as standard a shelf for delicate products. Both models can be optionally equipped with shelf for bottles and coin-lock system.



VALZER 160L and VALZER 210L

Models: Rabtrolley® VALZER 160 I. and VALZER 210 I. are composed of polycarbonate basket suspended on metal frame and separately assembled: flap with child seat and 4 castors. Model VALZER 210 I. has as standard a shelf for delicate products. Both models can be optionally equipped with shelf for bottles and coin-lock system.

Trolleys **Rabtrolley® MIDI 160 I., MAXI 210I. , Valzer 160 I. and Valzer 210 I.** have been designed and manufactured in conformity of standards UNI EN 1929, that define the EU requirements and tests for basket trolleys (with or without a child carrying facility, adapted or not adapted to be used on passenger conveyors) serving the Customers of self-service stores to carry purchased goods.

Rabtrolley® 160 I. and 210 I. trolleys are adapted to contact with food. The plastics and accessories we use are nontoxic. The individual components of the trolleys are suitable for reprocessing.

PROPER USE OF TROLLEY AND ITS LOAD CAPACITY

The Rabtrolley® shopping trolleys have been designed for the storage and transportation of commercial goods during the shopping in the sales points.

The shopping trolley should be used according to its destination. It is not allowed to use the trolley for other purposes.

The quantity of liters of the trolley indicates also its load capacity in kilograms: the trolley of 160 l. can carry the goods weighing up to 160 kg and the trolley of 210 l. the goods weighing up to 210 kg.

In case of goods' transporting on passenger conveyors in the trolley of 210 l. the maximum weight of the carried articles is 160 kg.

The shelf for bottles has a load capacity of 15 kg.

CARRYING CHILDREN

Carrying children is allowed only in appropriately equipped for that baby seat.

The maximum permitted weight of the baby is 15 kg.

On the handle of the trolley there has been stamped a pictorial instruction of **improper use** of the Rabtrolley® trolleys by the youngest Customer:



1. It is forbidden to climb a shelf for bottles and dangle on the back side of the trolley
2. It is forbidden to climb a trolley's frame and dangle on the front side of the trolley
3. It is forbidden to carry children inside the trolley's basket



COIN-LOCK SYSTEM (OPTIONAL)

Coin locks are situated on the trolley's handle and they fit to the currency indicated on the coin slot. The use of an inappropriate coin can block the coin slot.



HOW TO RELEASE THE TROLLEY

1. Put a coin into the coin slot of the last trolley.
2. After inserting a coin, the key at the end of the chain connecting the trolleys will be unlocked



HOW TO REPLACE THE TROLLEY

1. Put the last trolley's key into the other side of the coin slot on your trolley's handle
2. After inserting the key, the coin will be automatically ejected from the coin slot.

SHELF FOR BOTTLES (OPTIONAL)

Pull-out bottle shelf is situated on the back side of the trolley, below the handle and just below the level of the basket.

The maximal load capacity of the shelf is 15 kg.

The most comfortable way to carry the package of bottles is to put it in vertical position.

The shelf for bottles can be folded by pushing it by hand towards the basket just like a drawer.



SHELF FOR DELICATE PRODUCTS (MODELS OF CAPACITY 210 l.)

Models of capacity 210l. such as MAXI 210 l. and Valzer 210l. are equipped as a standard with a shelf for delicate products which is assembled into the forward part of the basket.



PASSENGERS' CONVEYORS

Rabtrolley® shopping trolleys optionally equipped with proper castors designed for being used on travelators, have a special mark on the handle of the trolley as it is shown on the picture beside.

In accordance with current European Union standards UNI EN 1929 - 2 and UNI EN 1929 - 4 it is recommended to place the symbol of passengers' conveyors at the entrance to them; standards provide the placement of the symbol of passengers conveyors on white or green background (minimum dimensions: 80 x 80 mm) and affixing the signboard with following verbal instructions in a local language:



- LEAD THE TROLLEY HOLDING ITS HANDLE
- MAXIMUM ALLOWED LOAD CAPACITY OF TROLLEY 160 KG
- ON PASSENGERS CONVEYORS DO USE ONLY TROLLEYS THAT ARE ADAPTED TO THAT
- ON PASSENGERS CONVEYORS IT IS FORBIDDEN TO RELEASE THE TROLLEY HANDLE AND LET THE TOLLEY FREEWHELL;

There can be written also as follows:

- CONTENTS OF THE BASKET SHOULD NOT PROTRUDE OUTSIDE

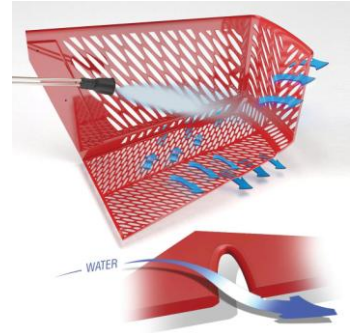
CLEANING

In order to maintain hygiene we recommend to clean shopping trolleys periodically.

Do not use chemical products for cleaning because they can deteriorate mechanic characteristics of the material.

For cleaning we recommend to use only soap and water at temperature below 60°C.

Thanks to specially designed shape of the perforation of Rabtrolleys® trolleys that facilitates the flow of water on the surface of the basket speeding up the cleaning and hindering the deposition of dust on the superficies of the trolley's basket.



MAINTENANCE AND STORAGE

The Rabtrolleys® baskets do not require any specialized maintenance.

To maintain optimal maneuverability the trolley shall be regularly subject to the following operations:

- keep castors clean (remove dirt which is deposited with the axles that could block the wheels).
- control the castors' condition and their proper functioning

In case of any anomalies regarding the castors, please contact our sales office: info@Rabtrolley.com.

The Rabtrolley® shopping trolleys should not be stocked in the areas directly exposed to sunlight. For outdoor storage we recommend to use the adequate trolley's shelters.

GUARANTEE

The Rabtrolley® MINI 80l. trolleys are covered by a three-year guarantee on the body of the trolley (items made of plastic: forming a coherent whole basket and frame, flap, as well as optional shelf for bottles).

The trolley's castors and the optional coin-lock system have a two-year manufacturer's guarantee.

The guarantee does not cover damages caused by improper use of the trolley and its components.

TRACEABILITY

Each Rabtrolley® is equipped with a barcode label that contains, in accordance with the EU standards, the following information:

- Name and brand of producer
- Producer's address
- Commercial designation
- Load volume expressed in liters
- Load capacity expressed in kilograms
- Month and year of the production
- Numbers of the UE standards that the trolley is compatible with
- Barcode

Each finished trolley has its individual barcode, that allows to read off the kind of raw material used during its production.

This code is generated automatically by the computer system and printed on the label.



NOTE: In case of complaint it is necessary to indicate the serial number placed on the left side of the label, above the barcode.

FIRE PROTECTION

The Rabtrolley® shopping trolleys should be kept away from sources of fire.

Grades of fire-resistance of Rabtrolley shopping trolleys:

- PA (Poliamide): HB - V2
- PP (Polypropylene): HB – V2
- PC (Polycarbonate): HB - V2



HIGHLY SELF-EXTINGUISHING PRODUCTS IN CONFORMITY OF THE STANDARD UL 94

Analysis made by the American [Underwriters Laboratories](#) are the most popular tests of flammability and self-extinguishing of polymers.

HB

This test consists in the measurement of burning time of a horizontally placed plastic sample, that has a specified thickness (3 mm), by a Bunsen flame for 30 sec.

According to the standard **UL 94 HB** {Horizontal Burning } the material is categorized as HB if the sample of the thickness of 3 mm burns at maximum speed of 76 mm/minute. The materials classified as HB are considered self-extinguishing materials.

V.0 , V.1 , V.2

These tests (**UL 94 V.0 , V.1 , V.2** – {Vertical Burning}) consist in the measurement of self-extinguishing time of a vertically placed plastic sample, that has thicknesses from 3 till 6 mm , burned by a Bunsen flame for 10 sec.

- V.0– the categorization of the material if the flame extinguishes within 10 seconds;
- V.1– the categorization of the material if the flame extinguishes within 30 seconds without dripping;
- V.2– the categorization of the material if the flame extinguishes within 30 seconds with dripping.

PRODUCER:

Rabugino Sp.zo.o.
ul. Graniczna 48, 05-825 Grodzisk Mazowiecki, Polska

www.Rabtrolley.com
info@Rabtrolley.com

DISTRIBUTOR: (space for stamp of the distributor)